

ACUIX™ Mounts and Adapters

www.honeywellvideo.com

FULL RANGE OF MOUNTS AND ADAPTERS FOR PTZ DOMES

Honeywell offers a complete family of mounts and adapters for the ACUIX™ and ACUIX ES domes. In simple or complex applications, these mounts and adapters offer affordability and space efficiency without sacrificing performance.

The **HDXWM2** and **HDVWM1** wall mounts are constructed of high tensile cast aluminum and can be mounted directly to a vertical load-bearing surface supporting up to 25.8 lb (11.7 kg). The HDXWM2 has a covered weatherproof cable access hole for ease of installation and can be corner or pole mounted using the HDXCMA1 corner mount adapter or the HDXPMA1 pole mount adapter. The HDVWM1 wall mount is for internal use only.

The **HDPRM2** parapet and flat-roof mount has a unique rotating 1.5" NPT threaded mounting nut that allows for easy installation of the dome without having to twist the dome and wiring. The mount is designed to swivel within small clearance limits, which aids in maintenance and installation. The HDPRM2 is constructed of heavy-duty steel and is available in a warm gray finish. For wall mount applications, HDPRM2 mounts directly to vertical load-bearing surfaces or to a horizontal load-bearing surface for a roof mount application. The HDPRM2 supports up to 20 lb (9.1 kg) and can withstand winds up to 75 mph (121 kph) when properly fastened to a support structure.

The **HDCM1** ceiling pendant mount utilizes a 1.5" NPT, is constructed of heavy-duty steel and is available a warm gray finish. The HDCM1 mounts directly to a horizontal load-bearing surface and supports up to 25.8 lb (11.7 kg). It has a unique rotating 1.5" NPT threaded mounting nut that allows for easy installation of the dome without having to twist the dome and wiring.

Market Opportunities

The flexible mounting options for ACUIX make it a suitable dome for most indoor and outdoor installations. Where an aesthetically pleasing installation is needed, such as in banks or retail outlets, Honeywell has a solution with a full line of mounts and adapters. When used with Honeywell's corner mount adapter, coverage for both the front and side areas of a building or parking lot is possible using a single dome.

Honeywell's pole mount adapters ensure hassle-free installation on tall poles such as in traffic monitoring and marine locations, allowing maximum viewing coverage even under high wind conditions.

Features:

- Heavy-duty design for harsh environments
- Handles wind loads up to 75 mph (121 kph)
- Solid construction ensures maximum strength
- Pivoting mount allows for 'ladder-less' installation and access
- Interconnecting cabling hidden in mount
- Removable access door for simplified cable strength connections



HDXWM2



HDVWM1



HDXPMA1



HDXCMA1



HDPRM2



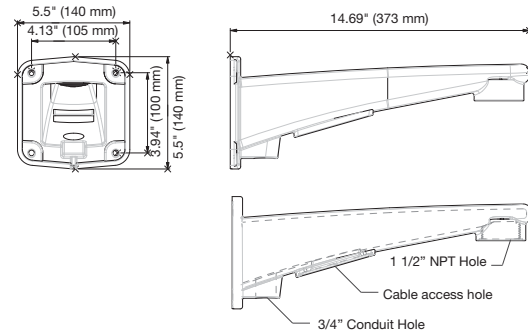
HDCM1

ACUIX™ Mounts and Adapters

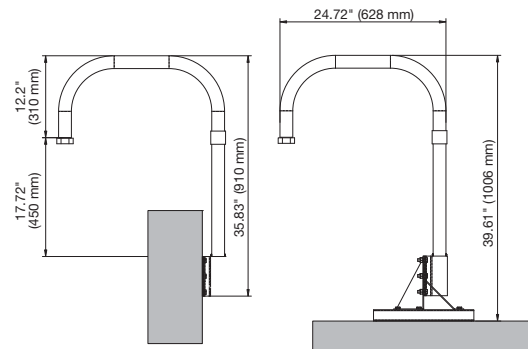
www.honeywellvideo.com

SPECIFICATIONS

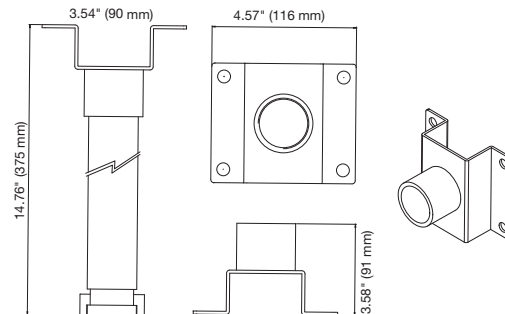
HDXWM2 – Wall Mount	
Construction	High tensile aluminum alloy
Finish	Warm gray
Dimensions	See line drawing
Environment	Indoor and outdoor
Weight	3.2 lb (1.45 kg)
Max Load	25.8 lb (11.7 kg)
Wind Load	75 mph (121 kph)



H DPRM2 - Parapet and Roof Mount	
Construction	Steel
Finish	Warm gray
Dimensions	See line drawing
Environment	Outdoor
Weight	22.5 lb (10.2 kg)
Max Load	20.1 lb (9.1 kg)
Wind Load	75 mph (121 kph)



HDCM1 – Ceiling Mount for Indoor Pendant	
Construction	Aluminum
Finish	Warm gray
Dimensions	See line drawing
Environment	Indoor
Weight	1.8 kg

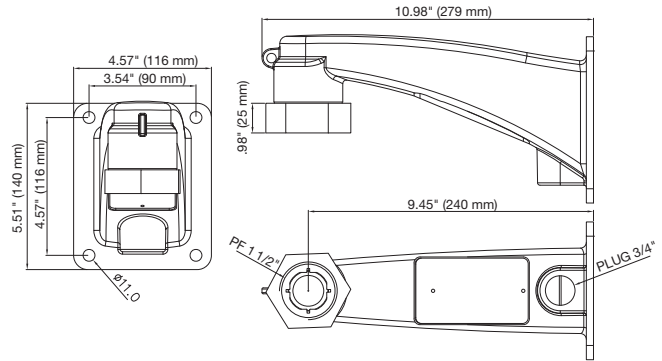


ACUIX™ Mounts and Adapters

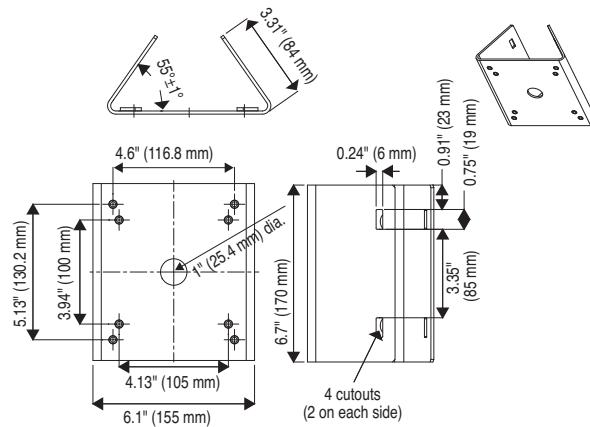
www.honeywellvideo.com

SPECIFICATIONS

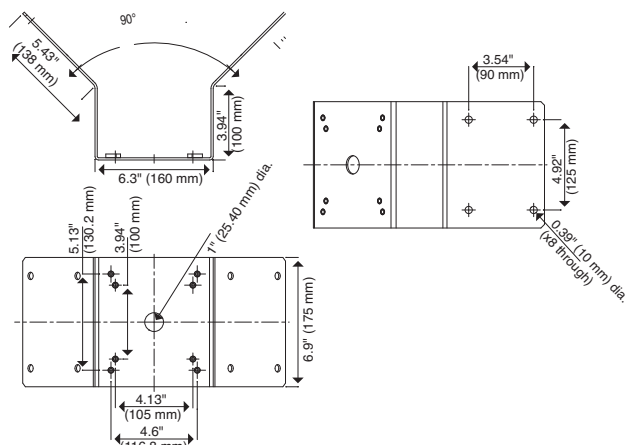
HDVWM1 – Wall Mount	
Construction	Cast Aluminum
Finish	RAL 7035
Dimensions	See line drawing
Environment	Indoor
Weight	2.54 lb (1.15 kg)
Max Load	25.8 lb (11.7 kg)



HDXPMA1 – Pole Mount Adapter	
Construction	Steel
Finish	Warm gray
Dimensions	See line drawing
Environment	Indoor and outdoor
Weight	3.97 lb (1.8 kg)
Max Load	29.98 lb (13.6 kg)
Wind Load	75 mph (121 kph)



HDXCMA1 – Corner Adapter	
Construction	Steel
Finish	Warm gray
Dimensions	See line drawing
Environment	Indoor and outdoor
Weight	3.97 lb (1.8 kg)
Max Load	29.98 lb (13.6 kg)
Wind Load	75 mph (121 kph)



ACUIX™ Mounts and Adapters

www.honeywellvideo.com

ORDERING

	Indoor	Outdoor
HDVWM1	X	
HDXWM2	X	X
HDPRM2	X	X
HDCM1	X	
HDXPMA1	X	X
HDXCMA1	X	X

Ordering	
HDVWM1	Indoor Only Wall Mount
HDXWM2	Indoor and Outdoor Wall Mount
HDPRM2	Parapet and Flat Roof Mount
HDCM1	Ceiling Mount for Indoor Pendant (Not for outdoor use)
HDXPMA1	Pole Mount Adapter for HDXWM2 and Rugged Housing
HDXCMA1	Corner Mount Adapter for HDXWM2 and Rugged Housing

NOTE: Honeywell reserves the right, without notification, to make changes in product design or specifications.

Tony Pooser
Kay Communications Inc.
3307 E. Napoleon St.
Sulphur La, 70663
337 625-3690



Honeywell Security Group
Honeywell
2700 Blankenbaker Pkwy, Suite 150
Louisville, KY 40299
1.800.796.CCTV (2288)
www.honeywell.com

L/AXMTADTD/D
November 2009
© 2009 Honeywell International Inc.

Honeywell